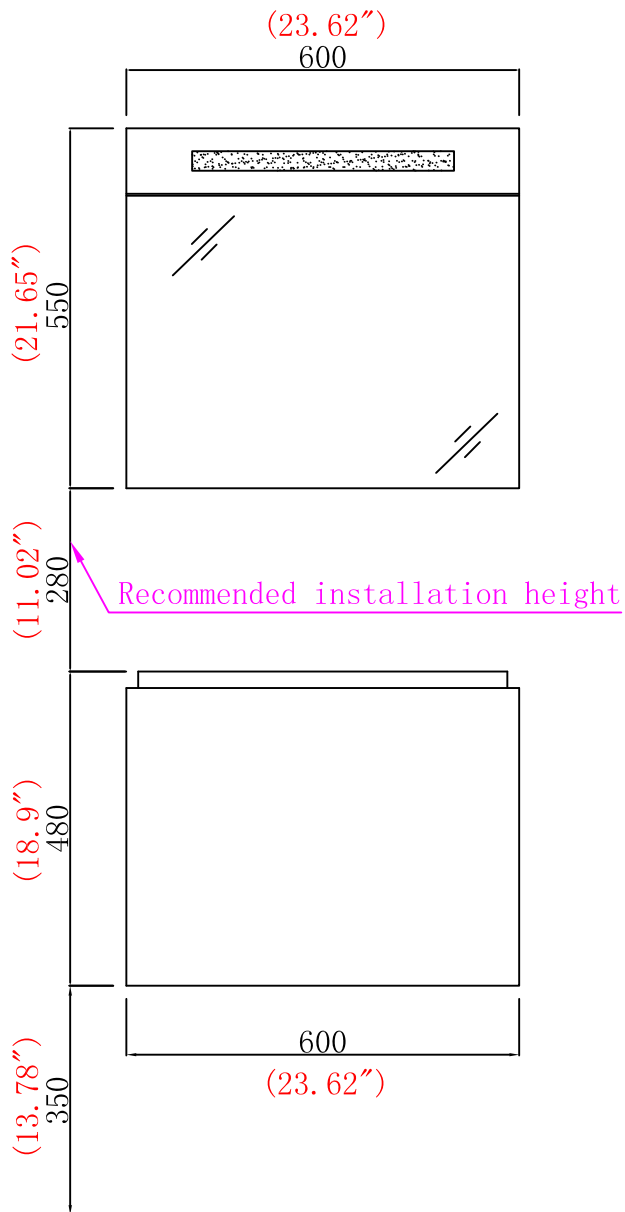

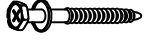




Item No. :LE-24

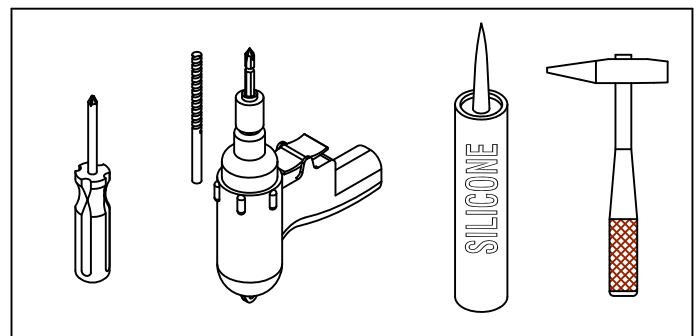


FLOOR

Hardware

NO.	Draw	QTY
A		8
B		8
C		8
D		4

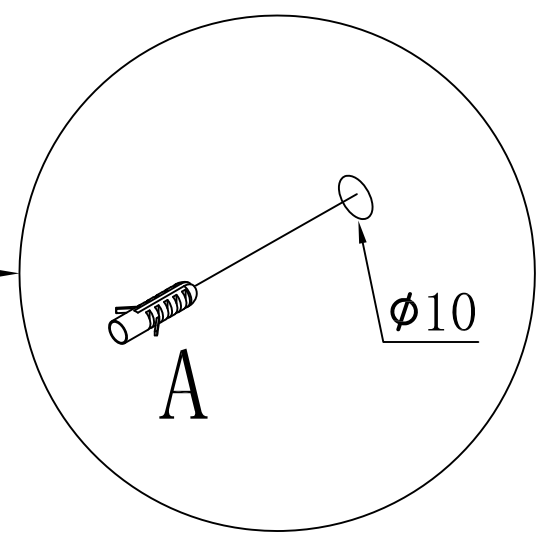
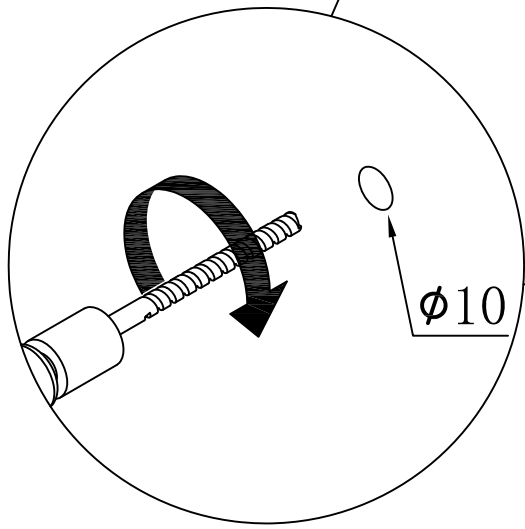
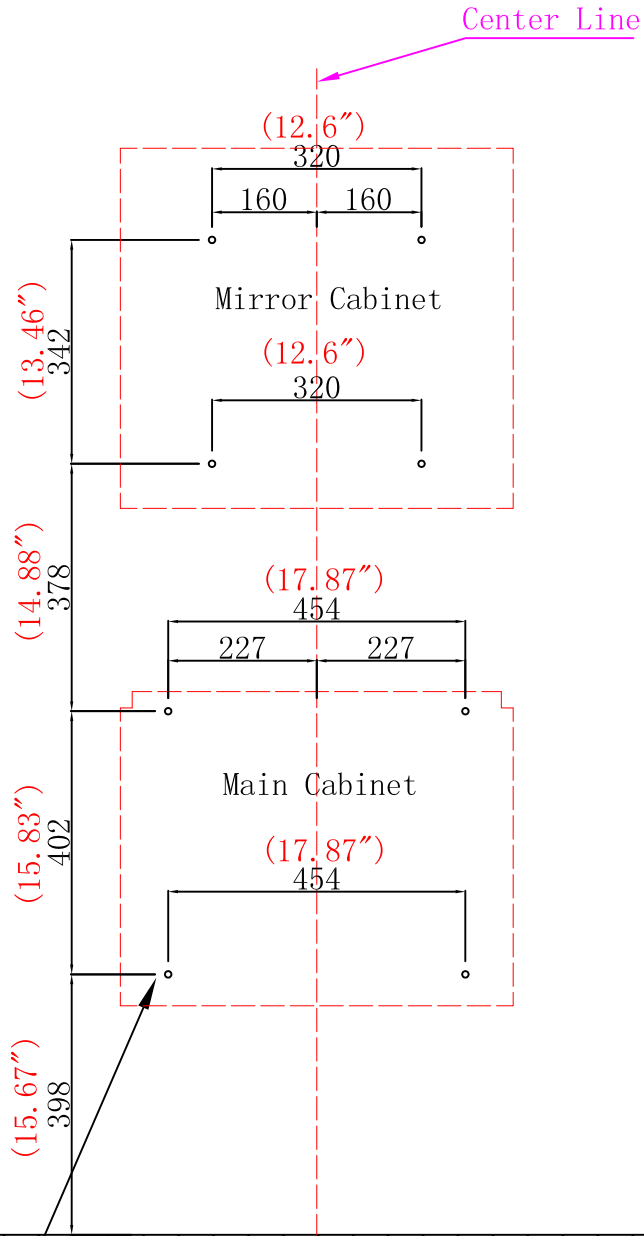
Tools



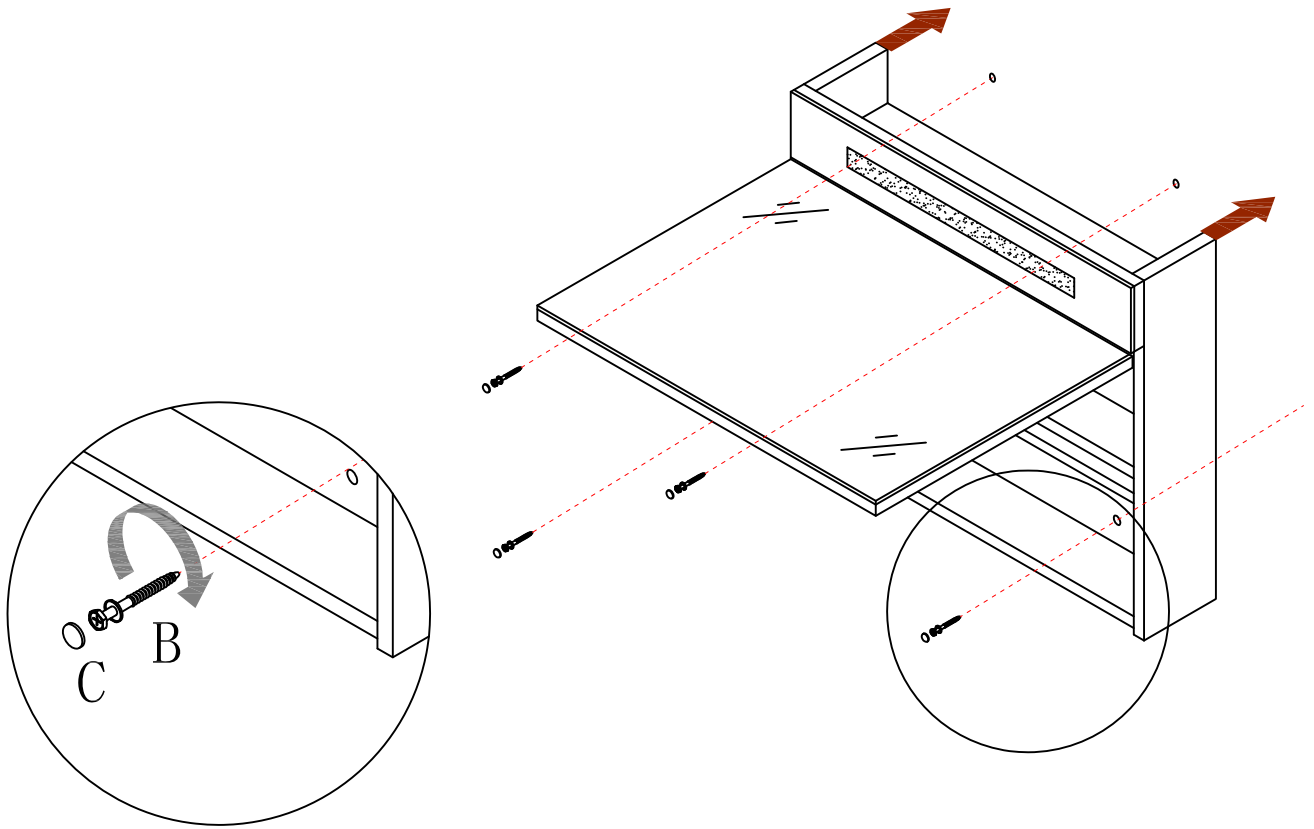
Step 1

WALL

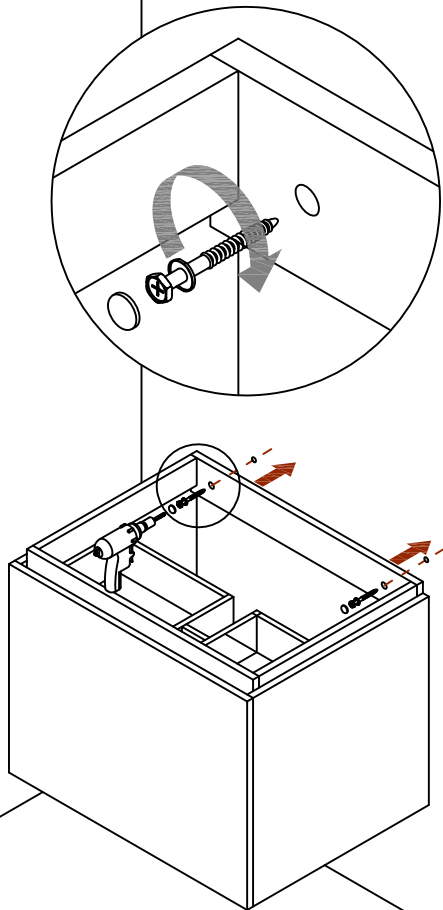
WALL



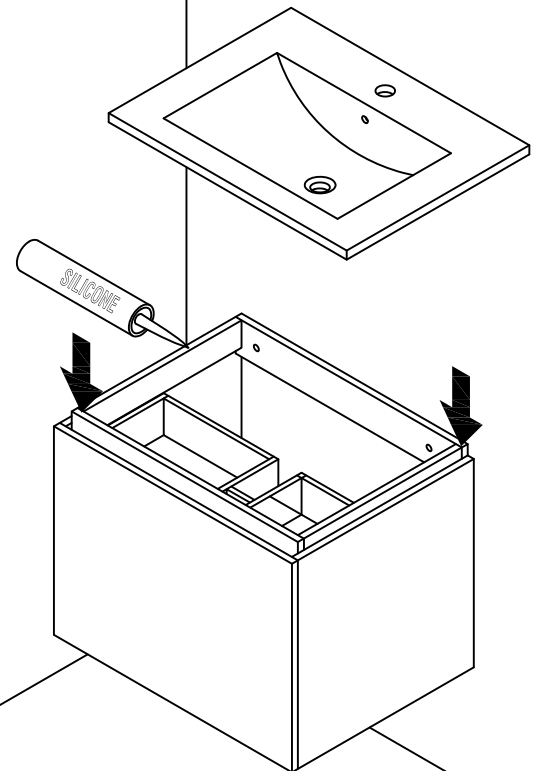
Step 2



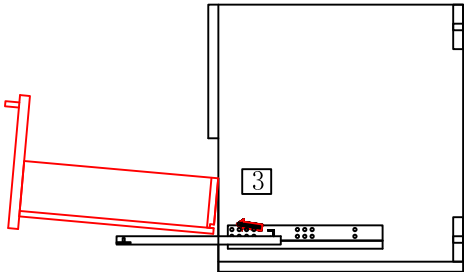
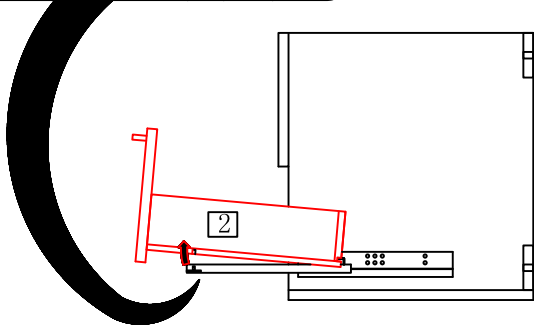
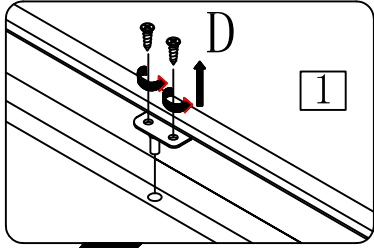
Step 3



Step 4



DRAWER REMOVAL



DRAWER INSTALLTION

